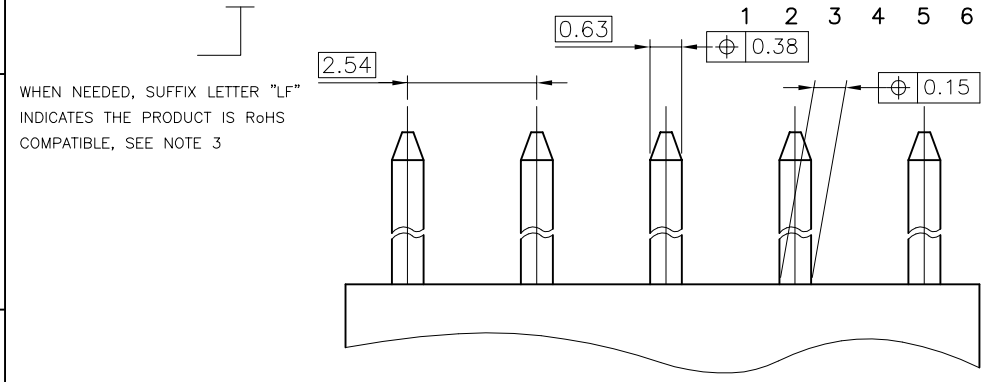
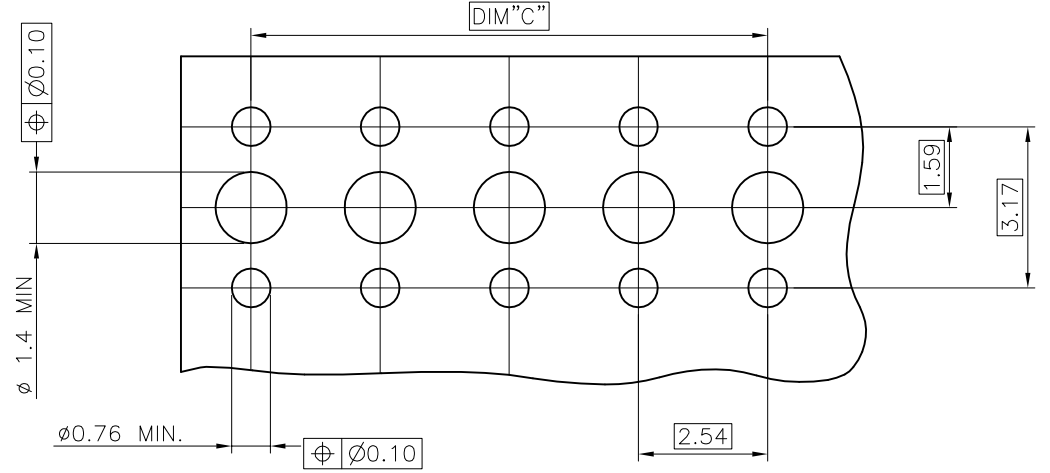
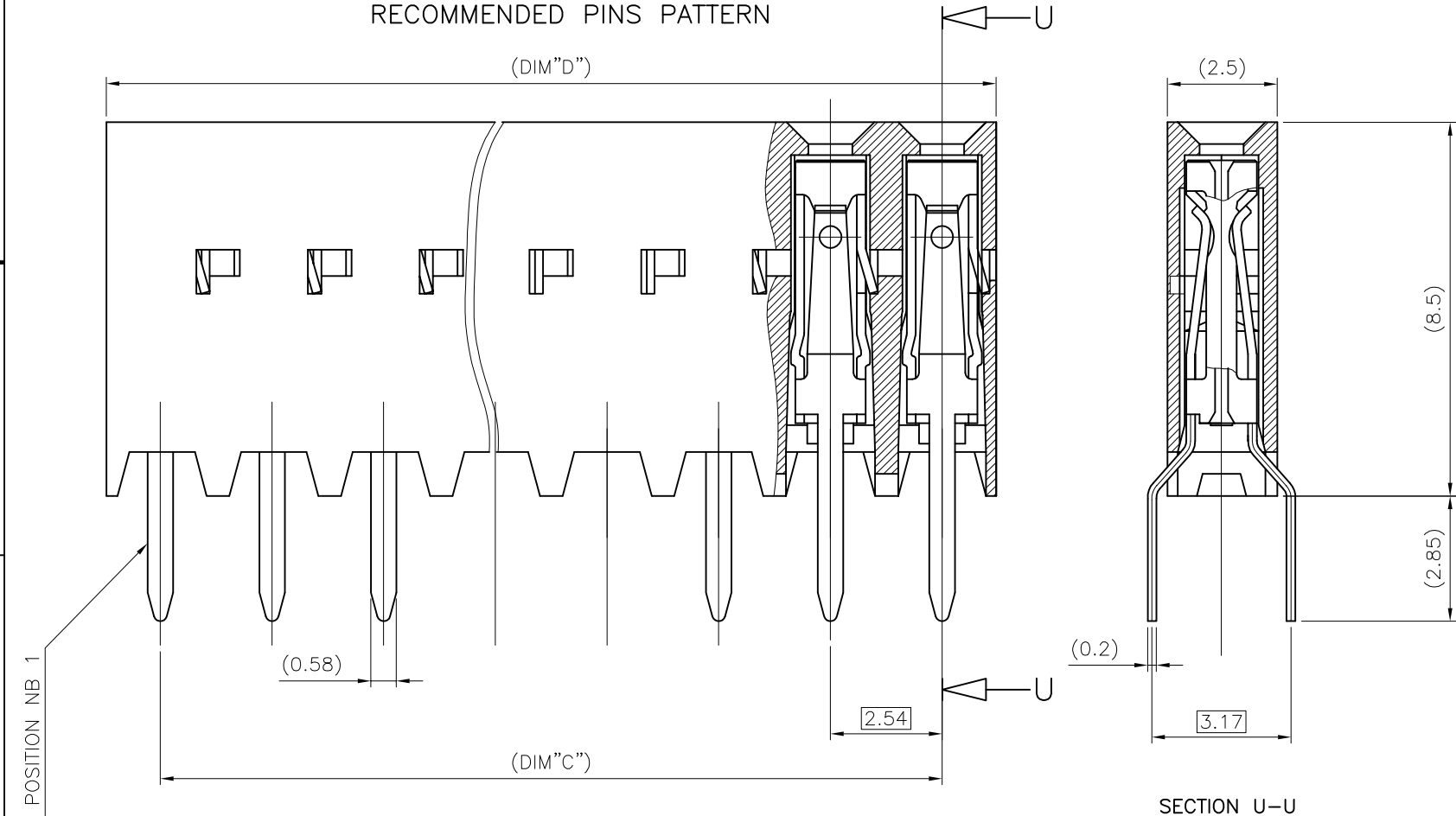


PRODUCT N°	DIM"C"	DIM"D"	CONTACT PLACED IN CAVITY																					
95200-Y01(LF)	48.26	50.72	X	X	X							X	X	X	X	X	X	X	X			X	X	X
95200-Y02(LF)	7.62	10.08	X		X																			
95200-Y03(LF)	53.34	55.80	X			X			X			X			X			X			X			X
95200-Y04(LF)	53.34	55.80	X	X		X	X	X	X	X	X	X	X	X	X	X	X	X	X	X	X	X	X	X



MINIMUM MATING PIN LENGTH: 5 mm.  
RECOMMENDED PINS PATTERN



RECOMMENDED HOLE PATTERN.

NOTES:

- MATERIAL HOUSING: THERMOPLASTIC POLYESTER, 30% GLASS FILLED, COLOUR BLUE, FLAME RETARDANT: PER UL-94 CATEGORY V0. MATERIAL TERMINAL: PHOSPHORE BRONZE EXTRA HARD.
- CONNECTOR MEANT TO BE USED FOR PC BOARD WITH NON PLATED THROUGH HOLES.
- RoHS COMPATIBLE PRODUCT SPECIFICATIONS
  - PLATING:
    - "LF" MEANS THE PRODUCT IS LEAD-FREE, 2µm MINIMUM MATTE TIN OVER 1.27µm MINIMUM NICKEL UNDERPLATE.
  - MANUFACTURING PROCESS COMPATIBILITY
    - THE HOUSING WILL WITHSTAND EXPOSURE TO 260°C ±5°C SOLDER BATH TEMPERATURE FOR 5 SECONDS IN A WAVE SOLDER APPLICATION WITH A 1.6mm MIN THICK CIRCUIT BOARD.
  - LABELING:
    - MEETS PACKAGING SPECS AS PER GS-14-920
  - LEGAL STATEMENT: SEE GS-22-008

95200-4XX	5 µm SnPb	SnPb
95200-3XX	0.75 µm GOLD	SnPb
PLATING CODE	CONTACT AREA	SOLDER TAIL
	PLATING THICKNESS OVER 1.27µm Ni	

95200-4XXLF	5 µm Sn	Sn
95200-3XXLF	0.76 µm GOLD	SnPb
PLATING CODE	CONTACT AREA	SOLDER TAIL
	PLATING THICKNESS OVER 1.27µm Ni	

mat'l. code	SEE NOTES	surface	tolerance	projection	product family
ltr	ecn no	dr	date	ISO 1302	DX VCC SR
H	F04-0347	DLE	04.11.15	ISO 406	
J	F06-0233	DLE	06.07.13	ISO 1101	
K	F07-0271	LMU	07.12.06		
E	F10724	PNZ	01.12.05		
F	F20337	DLE	02/05/29		
G	F03-0284	DLE	03.10.15		
sheet index	revision sheet	dr	D.LEGRAND	01.12.05	
		engr	P.NIZZI	01.12.05	
		chr	D.LEGRAND	01.12.05	
		appd	PNZ	01.12.05	

title  
**OFF SET LEGS  
SELECTED LOADED**

dwg no: 95200 sheet 1 of 1 size: A2

type: CUSTOMER Drawing